

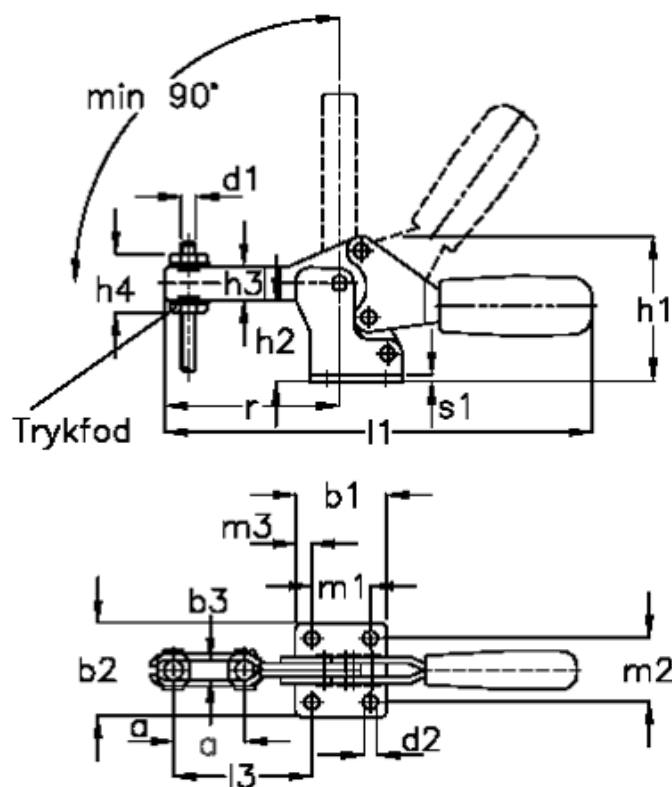
Data Sheet



Article number: 201351046A1

Description: E+G Klee horizontal clamp
GN 820-75-M-NI, stainless steel

Measures



a approx. = 20	h3 = 11	m3 = 7.20
b1 = 28	h4 = 23	r = 43.0
b2 = 26.0	Holding force N = 900	s1 = 2.0
b3 = 5.5	l1 = 118	Size = 75
d1 = M 5	l2 = 67	
d2 = 4.5	l3 = 40.0	
h1 = 37	m1 = 13.5	
h2 = 20.0	m2 = 17.0	